

# MWS30-60STD Order Form

Date \_\_\_\_\_  
 AVFI Sales REP \_\_\_\_\_  
 Customer Signature \_\_\_\_\_

Quote No. \_\_\_\_\_  
 Customer No. \_\_\_\_\_  
 AVFI No. \_\_\_\_\_

Office Use Only

To generate your order form, please refer to the information provided below to insert the alphabetic and/or numeric code in the respective category boxes. Please note that without this filled out Order Form, your purchase **cannot** be processed.

1	2	3	4
Product Model	Finish	Chargeable Accessories (One Code Per Box)	Custom Cutouts
<b>MWS30-60STD</b>			

### 1 Product Model



Code **MWS30-60STD**

### 2 Choose Product Finish

**Standard Finishes**

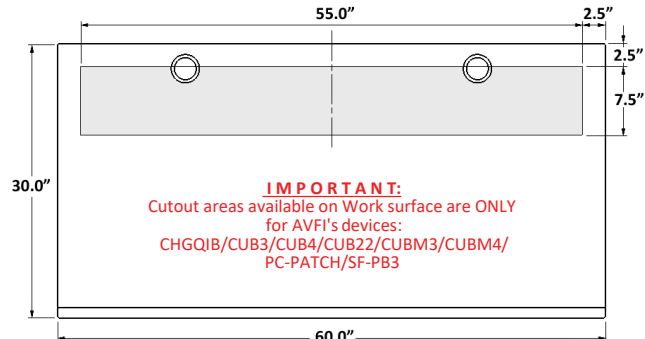
							
<b>AMT</b>	<b>AST</b>	<b>CLT</b>	<b>CPT</b>	<b>CWT</b>	<b>EBT</b>	<b>FMT</b>	<b>HCT</b>
							
<b>SBT</b>	<b>SGT</b>	<b>SST</b>					

### 3 Chargeable Accessories (Check all that apply)

Code <b>00</b>	No Accessories	Qty _____
Code <b>B7</b>	<b>KTDS27</b> Keyboard Tray 27"-Black Only (2 Max.)	Qty _____
Code <b>D1</b>	<b>MIC-18</b> MX418 S/C Microphone	Qty _____
Code <b>D4</b>	<b>FAN</b> Quiet Cooling Fan (Installs on Doors Only)	Qty _____
Code <b>E1</b>	<b>PB 6</b> Outlet Power Bar	Qty _____
Code <b>E3</b>	<b>CUB3</b> Round Cable Well	Qty _____
Code <b>E4</b>	<b>SF-PB3</b> 3 Outlet Power Bar	Qty _____
Code <b>E7</b>	<b>PC-PATCH</b> Power-Data Module	Qty _____
Code <b>E9</b>	<b>PB 12</b> Outlet Power Bar	Qty _____
Code <b>EA</b>	<b>CUB4S</b> Silver Power Panel	Qty _____
Code <b>EB</b>	<b>CUB4B</b> Black Power Panel	Qty _____
Code <b>EF</b>	<b>CHGQIB</b> Wireless Charging Station, Black	Qty _____
Code <b>EJ</b>	<b>CUB22</b> 3 Module Power Panel (Black)	Qty _____
Code <b>EK</b>	<b>CUBM3</b> 3 Module Power & Data Panel (Black)	Qty _____
Code <b>EL</b>	<b>CUBM4</b> 4 Module Power & Data Panel (Black)	Qty _____
Code <b>H3</b>	<b>RR3</b> 3U Set of Rack Rails (6U total)	Qty _____
Code <b>K1</b>	<b>C900S</b> Single Monitor Arm	Qty _____
Code <b>K2</b>	<b>C900D</b> Dual Monitor Arm	Qty _____
Code <b>K3</b>	<b>PLM1022</b> Monitor Mount	Qty _____
Code <b>P13</b>	<b>MWS30-DOORL</b> Storage Door Left	Qty _____
Code <b>P14</b>	<b>MWS30-DOORR</b> Storage Door Right	Qty _____

### 4 Custom Cutout Option (Extra charges will apply)



Please indicate custom cutout location on the drawing below



**IMPORTANT:**  
 Cutout areas available on Work surface are ONLY for AVFI's devices:  
 CHGQIB/CUB3/CUB4/CUB22/CUBM3/CUBM4/  
 PC-PATCH/SF-PB3

\*Any other device deeper than 3.75" from work surface, might need a cutout on the Removable shelf Panel or completely removal of it.  
 \*Deeper devices will also interfere if racks are installed or a taller PC is placed below the removable shelf.  
 - Contact Sales or Engineering for support-

Code **CO** No Custom Cutout  
 Code **CC** Custom Cutout (Specify on Cutout Area Above)

-  Cutout Area on Work Surface (1x - 55.0" W x 7.5" D)
-  Cutout Area on Removable Shelf (1x - 9.0" W x 6.0" D)  
(2x - 14.0" W x 6.0" D)

\* Cutout Required (Extra Charges will apply)  
 § Only on Flat Cutout

Comments (Please use this section to provide additional information)

---



---



---

### Notes

**CAD Drawings/Symbols**  
 CAD drawings are available by request at [sales@avfi.com](mailto:sales@avfi.com)

**Custom Cutouts** Estimated lead time within 20 business days from receipt of P.O. and signed drawings.

**Customizations**  
 Modifications to design such as shape and/or size variations have to be quoted on a per case basis and are applicable for quantities of 10+ only.